

HYDRA™ AIR

UV-C AIR CLEANING



*Patent Pending



EPA Facility #99690-TX-1



Intertek



DESCRIPTION

The Hydra™ Air offers powerful 24/7 UV-C air recirculation and disinfection. The Hydra™ Air fixture retrofits seamlessly into your existing system.

AIR DISINFECTION

UV-C air disinfection recirculates the air in your space at 280 cubic feet of air per minute. The Hydra™ Air is capable of treating 2800 cubic feet of space per unit. That is equivalent to a space of 15'X20' with 10' ceilings. There are a variety of fan options to fit your ceiling height and decibel requirements. As an option, you can add the Eagle X Pro™ Sterionizer™ for the ultimate solution in ionization, outputting 10 billion Ions per second.

ELECTRICAL SYSTEM

120V and 277V applications. Complies with Federal Energy Efficiency Standards. WiFi App/RF key control included standard. RJ45 connection available (replaces WiFi/RF control).

LISTINGS

ETL™/Intertek™ Germicidal listed. All Nemesis™ products are built and registered in our EPA™ registered facility #99690 as a Risk Group 3 UV-C product under 40 CFR 156. Proudly designed, sold and manufactured in the USA.

FINISH

Premium UV resistant matte white finish creates a sleek and smooth look with custom color options available.

MOUNTING

2X2 or 2X4 options.
 Recessed Grid option with grid clips attached.
 Recessed Flanged option with swing arm brackets.
 Surface and Pendant mount options also available.

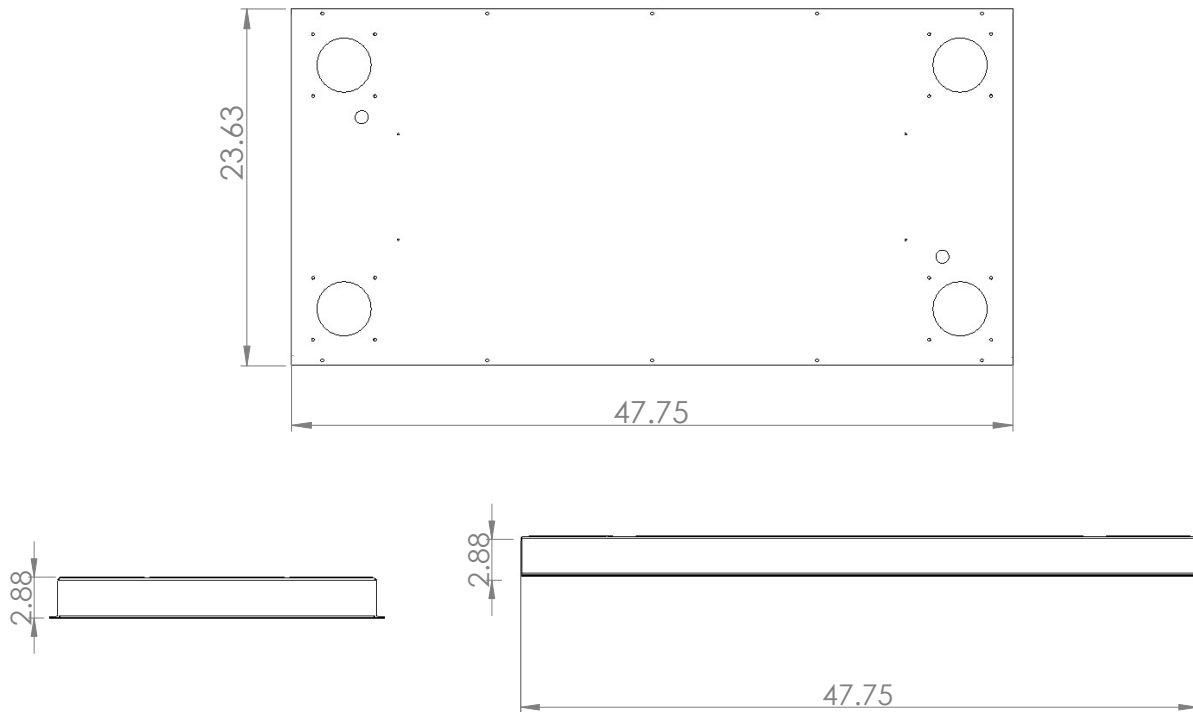
WARRANTY

(1) Year 'typical' limited factory warranty included. Extended warranty duration and terms are available upon separate agreement.

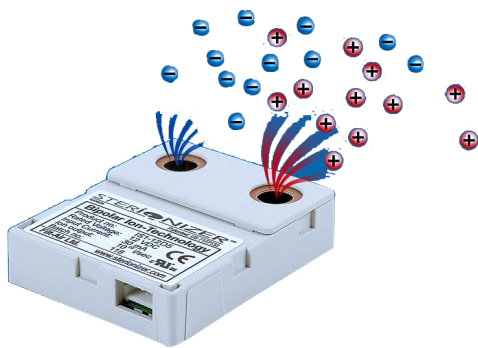
ORDERING INFORMATION

SERIES	SIZE	MOUNTING	FINISH	VOLTAGE	FAN	OPTIONS
NHA Nemesis™ Hydra™ Air	22 2x2	RG Recessed Grid	MW Matte White	120 120V	S Standard (9'-12')	STER Sterionizer™
	24 2x4	RF Recessed Flanged	C Custom	277 277V	C Custom	RJ45 RJ45 Connection
		S Surface Mount				VARI Variable Speed Fan Upgrade
		P Pendant Mount				

DIMENSIONS

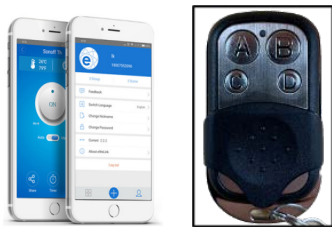


Eagle X Pro Sterionizer™ - Option



- The STERIONIZER™ is a patented green space air disinfectant technology that creates the outdoor environment indoors.
- Produces a high-density output of negatively and positively charged ions.
- Available for smaller spaces up to 1,000 square feet
- Produces 10 billion ions per second
- The STERIONIZER™ system acts as an “Iron Dome” against pollutants to neutralize and eliminate the risk of viruses, bacteria, mold spores, and fungus.

CONTROL



- Standard RF and Wi-Fi capabilities for ease of use.
- Scheduling and other timing options are available in the app.
- RF keyfob allows for quick on/off function of the fixture.

UV-C Radiator Information

2x4



55W HO T8 Radiator

2x2



95W HO PL-L Radiator

UV-C DISINFECTION INFORMATION

- UV-C light has the ability to inactivate pathogens (including viruses and bacteria) by impacting the cellular RNA and DNA, damaging nucleic acids, and preventing microorganisms from infecting and reproducing.
- UV-C light is invisible to the human eye, although our 254nm lamps contain a fluorescent phosphorous additive that illuminates visible light to ensure you know that the lamp is functional
- 254nm UV-C has been proven to be the optimal wavelength to inactivate pathogens
- Disinfection effectiveness is determined by exposure time, distance and dosage
- UV-C has been a proven, effective air and surface disinfectant for more than 70 years
- UV-C light can potentially pose a safety/health hazard to the skin and eyes when used improperly. The Nemesis™ Hydra™ series is equipped with built in safeguards to ensure the safety of occupants.

