

HYDRA™ EXTREME

Ultimate UV-C Install Solution



*Patent Pending



EPA Facility #99690-TX-1



Intertek



DESCRIPTION

The ultimate UV-C, ionizing disinfection solution. With high output surface disinfection UV-C light, integrated LED ambient lighting, and UV-C air disinfection along with Eagle X Pro™ Sterionizer™ for protection 24/7. The Hydra™ Extreme retrofits seamlessly into your existing system, making it the quintessential install fixture for future driven businesses. The Hydra™ Extreme has versatile user definable options; with UV-C surface disinfection, ambient LED lighting standard 4000K with optical 3000K - 6000K, RGBW ambient lighting, UV-C air disinfection, and optional positive and negative air ionizing with the optional Eagle X Pro Sterionizer™. The Hydra™ Extreme is your ultimate solution for new or existing systems.

AIR DISINFECTION

UV-C air disinfection recirculates the air in your space at 280 cubic feet of air per minute. The Hydra™ Extreme air disinfection is capable of treating 2800 cubic feet of space per unit. That is equivalent to a space of 15'X20' with 10' ceilings. For additional fan options, contact your sales representative. Optionally, you can add the Eagle X Pro™ Sterionizer™ for the ultimate solution in ionization, outputting 10 billion ions per second.

SURFACE DISINFECTION

UV-C Surface disinfection utilizes 3 high output radiators capable of surface disinfection of up to 15'X15' with 10' ceilings per unit.

ELECTRICAL SYSTEM

120V and 277V applications (Other power requirement options available, please contact Nemesis™). Long-life LED system rated for >100,000 life hours (L70@50°C) for configurations with ambient light. Complies with Federal Energy Efficiency Standards. WiFi App/RF key fob control included standard. RJ45 connection available (replaces WiFi/RF control).

LISTINGS

ETL™/Intertek™ Germicidal listed. All Nemesis™ units are built and registered in our EPA™ registered facility #99690 as a Risk Group 3 UV-C product under 40 CFR 156. Proudly designed, sold and manufactured in the USA.

FINISH

Premium UV resistant matte white finish creates a sleek and smooth look with custom color options available.

MOUNTING

2X2 or 2X4 options.
Recessed Grid option with grid clips attached.
Recessed Flanged option with swing arm brackets.
Surface and Pendant mount options also available.

WARRANTY

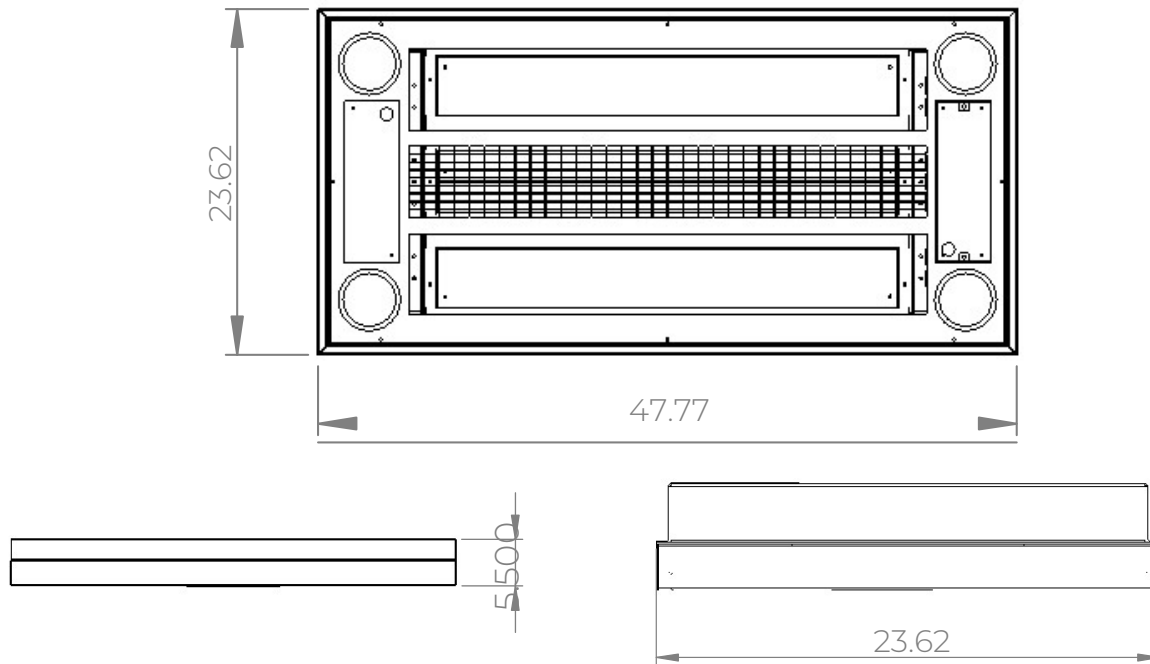
(1) Year 'typical' limited factory warranty included. Extended warranty duration and terms are available upon separate agreement.

ORDERING INFORMATION

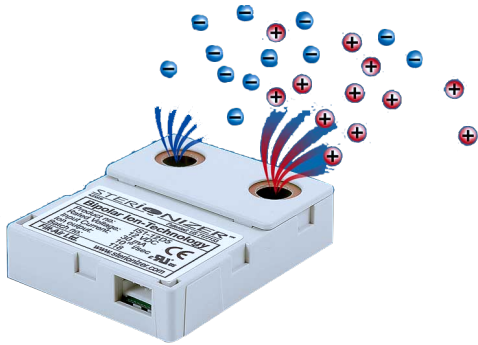
SERIES	FORMAT	MOUNTING	OUTPUT	FINISH	LENS	VOLTAGE
NHE Nemesis Hydra Extreme	22 2x2	RG Recessed Grid	S Standard 4000K C Custom	MW Matte White C Custom	SA Satin Lens C Custom	120 120V
	24 2x4	RF Recessed Flanged				277 277V
		SM Surface Mount				C Custom
		PM Pendant Mount				

FAN*	OPTIONS
S Standard (9'-12')	DMXA DMX/Artnet Control
C Custom	RGBW RGBW with Wall Control
	STER Eagle X Pro Sterionizer™
	RJ45 RJ45 Connection

DIMENSIONS

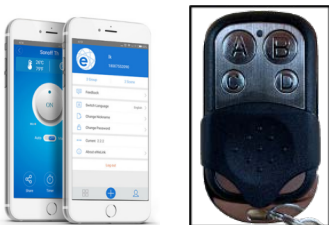


Eagle X Pro Sterionizer™ - Option



- The STERIONIZER™ is a patented green space air disinfectant technology that creates the outdoor environment indoors.
- Produces a high-density output of negatively and positively charged ions.
- Available for smaller spaces up to 1,000 square feet
- Produces 10 billion ions per second
- The STERIONIZER™ system acts as an “Iron Dome” against pollutants to neutralize and eliminate the risk of viruses, bacteria, mold spores, and fungus.

CONTROL



- Standard fixture available with RF and Wi-Fi capabilities.
- Scheduling and other timing options are available in the 'eWeLink™' application.
- RF keyfob allows for quick on/off function of the fixture's Ambient LEDs, UV-C disinfection and UV-C Air cleaning

UV-C Radiator Information

2x4



55W HO T8 Radiator

2x2



95W HO PL-L Radiator

UV-C DISINFECTION INFORMATION

- UV-C light has the ability to inactivate pathogens (including viruses and bacteria) by impacting the cellular RNA and DNA, damaging nucleic acids, and preventing microorganisms from infecting and reproducing.
- UV-C light is invisible to the human eye, although our 254nm lamps contain a fluorescent phosphorous additive that illuminates visible light to ensure you know that the lamp is functional
- 254nm UV-C has been proven to be the optimal wavelength to inactivate pathogens
- Disinfection effectiveness is determined by exposure time, distance and dosage
- UV-C has been a proven, effective air and surface disinfectant for more than 70 years
- UV-C light can potentially pose a safety/health hazard to the skin and eyes when used improperly. The Nemesis™ Hydra™ series is equipped with built in safeguards to ensure the safety of occupants.

